

Elmo Motors

Small, Smart & Simple



Elmo Motion Control Inspiring Motion since 1988

A global leading company which designs and manufactures extremely durable, cutting-edge servo drives and network motion controllers that provide high precision of movement, and are one-stop solutions for any motion control technology in any environment.

Elmo's superior motion control drives enable achieving the highest results from the Servo Motor in the most demanding machines and challenging applications.

- Compact design
- Low cogging rotation
- High operating efficiency
- Wide power range: standard 50W to 1000W (up to 5kw are available upon request)

The motors are durable, extremely versatile and used in a wide range of applications and industries.

Basic performance:

Feature	Frame 40				Frame 60				Frame 80			
Rated power W	50		100		200		400		750		1000	
Nominal DC Bus voltage	48	300	48	300	48	300	48	300	48	300	48	300
Min VDC for rated speed at peak torque*	46	112	44	99	46	179	46	173	46	211	NA	185
Rated torque Nm (in.lb)	0.16 (1.4)		0.32 (2.8)		0.64 (5.6)		1.27 (11.2)		2.39 (21.1)		NA	3.18 (28.1)
Rated speed RPM	3000											
Rated current A RMS/ Amplitude	1.5/2.1	0.7/0.9	3.5/5	1.4/2	6/8.4	1.5/2.1	11/15.5	2.9/4.1	16.5/23	3.9/5.5	NA	6.3/9
Peak torque Nm (in.lb)	0.48 (4.2)		0.96 (8.5)		1.92 (17)		3.81 (33.7)		7.17 (63.4)		NA	9.48 (84)
Peak current A RMS/ Amplitude	4.5/6.3	2.1/3	10.5/15	4.2/6	17.7/25	4.5/6.3	33/47	8.7/12.3	50/70	11.7/16.5	NA	18.9/26.7
Feedbacks	Tamagawa 2500ppr Incremental Encoder/ Nikon Abs 20 bits single turn + 16 Bits multi-turn** Note: The multi-turn option is activated by adding a battery rated 3.6V/ >1200 mAh to the ABS encoder											

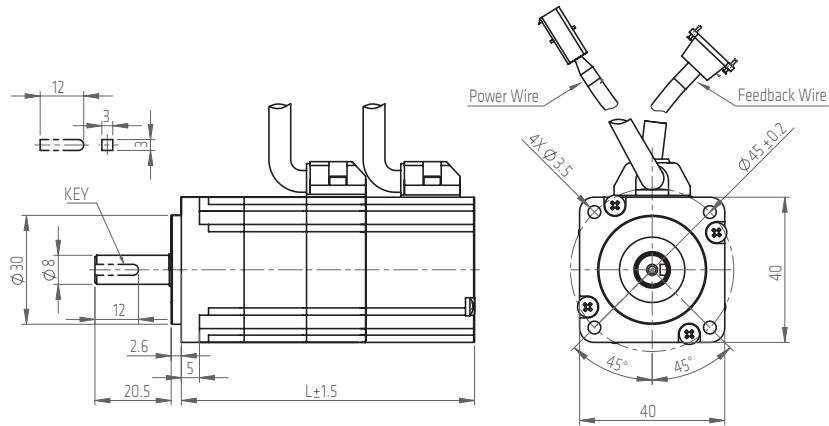
* Adjusted to X3 Rated Current

Optional: All motors are available with electric brake.

Driven by Excellence Empower your machine performance with Elmo Servo Drive & Motor

Frame 40: Rated power 50 / 100W

Product dimension drawing (mm)

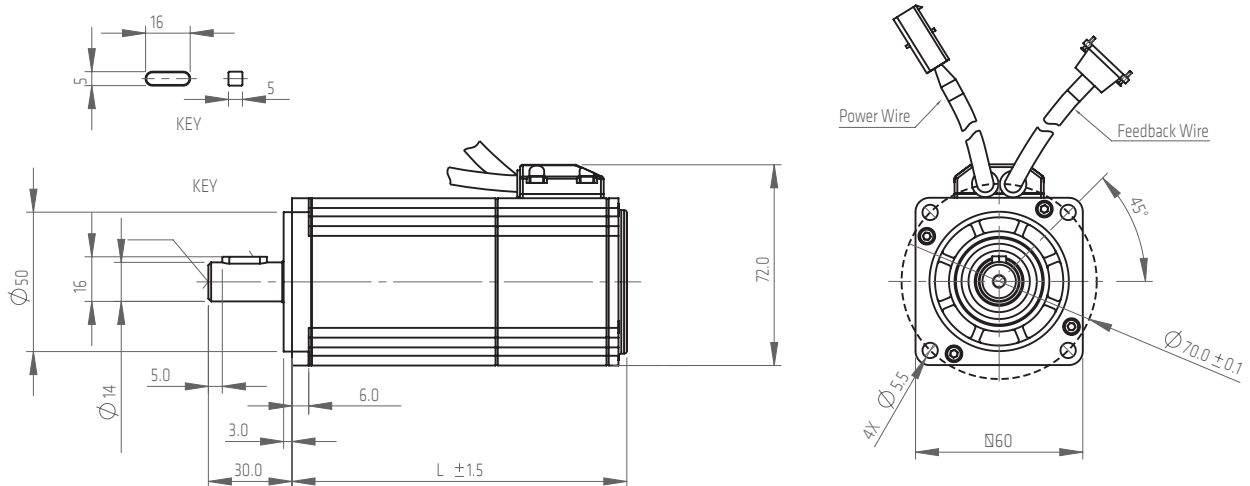


Total dimension:

Power (W)	L - Incremental Encoder		L - Absolute Encoder	
	Normal	With Brake	Normal	With Brake
50	85	119	81	115
100	110	144	107	141

Frame 60: Rated power 200 / 400W

Product dimension drawing (mm)

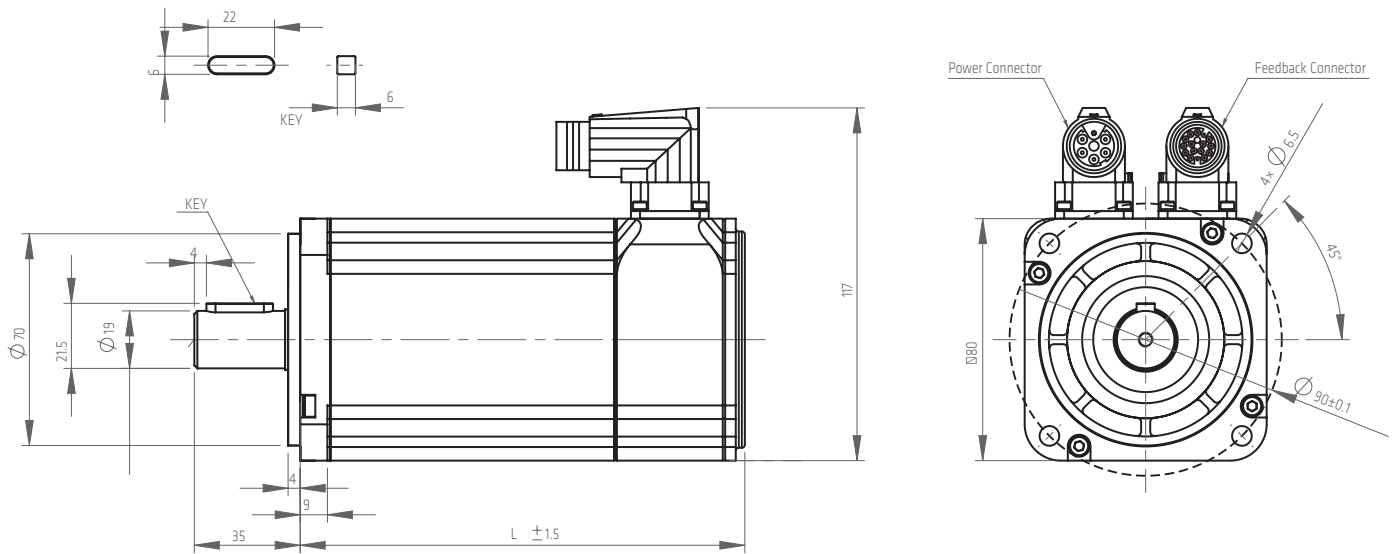


Total dimension (mm):

Power (W)	L - Incremental Encoder		L - Absolute Encoder	
	Normal	With Brake	Normal	With Brake
200	120	159	120	159
400	150	189	150	189

Frame 80: Rated power 750 / 1000W

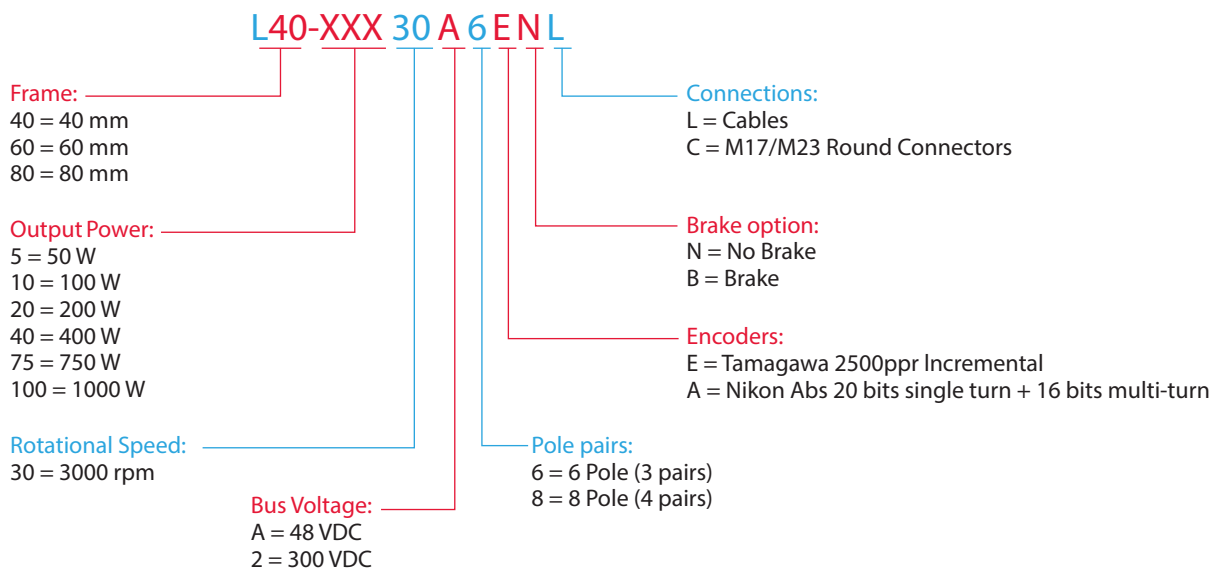
Product dimension drawing (mm)



Total dimension (mm):

Power (W)	L - 300VDC Bus		L - 48VDC Bus	
	Normal	With Brake	Normal	With Brake
750	147	197	157	207
1000	167	217	NA	NA

Catalog Number:



Headquarters Israel: Tel. +972-3-929-2300 | info-il@elmomc.com
North America: Tel. +1(603)821-9979 | info-us@elmomc.com
Germany: Tel. +49 (0) 6204-789370 | info-de@elmomc.com
Korea: Tel. +82-31-698-2010 | info-asia@elmomc.com
China: Tel. +86-20-39283408 | info-china@elmomc.com
Italy: Tel. +39 02 36714244 | info-italy@elmomc.com

www.elmomc.com