


(V2)


PIN	FUNCTION	COLOR	WIRE GAGE
1	MOTOR U	YELLOW	18AWG
2	MOTOR V	RED	
3	MOTOR W	BLACK	
4	NC	NC	18AWG
5	NC	NC	
6	NC	NC	
+	MOTOR PE+	YELLOW/GREEN	18AWG



M17 7PIN

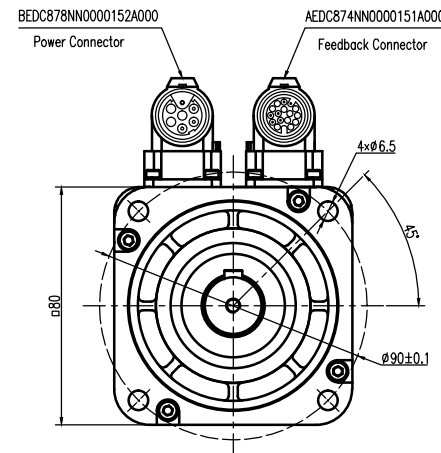
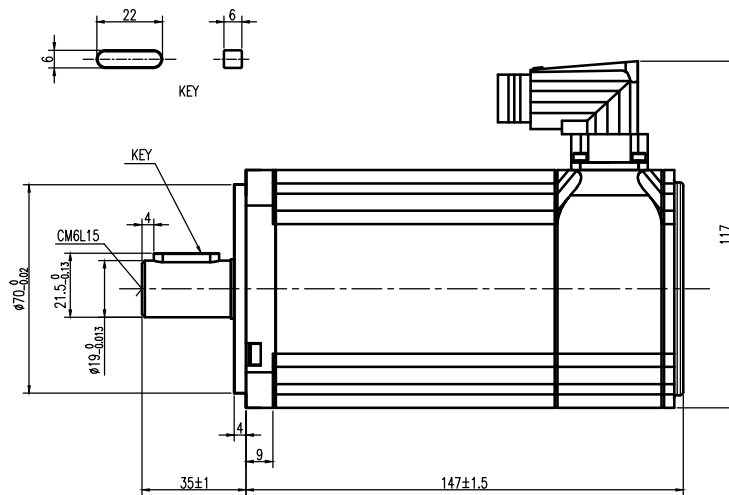
Connector Detail (Power Wire)

PIN	FUNCTION	COLOR	WIRE GAGE	PIN	FUNCTION	COLOR	WIRE GAGE
1	VCC +5V	WHITE	28AWG	10	GND	BROWN	28AWG
2	GND	BLACK					
3	Shield	Shield					
4	NC	NC	26AWG	11	NC	NC	28AWG
5	NC	NC					
6	NC	NC					
7	KTY(+)	RED	28AWG	12	NC	NC	28AWG
8	KTY(-)	BLACK					
9	VB	ORANGE	28AWG	13	NC	NC	

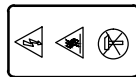
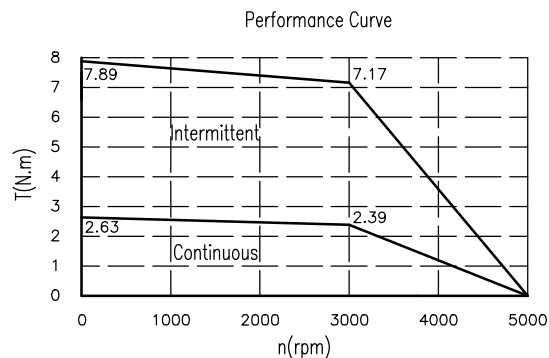


M17 17PIN

Connector Detail (Feedback Wire)



Technical Data		
No. of poles	6	
DC Link Voltage U_{dc} (DC Link)	300	
Rated Power P_x (W)	750	
Rated Torque T_n (N.m)	2.39	
Rated Speed n_r (rpm)	3000	
Rated Current I_n (A)	3.9	
Maximum torque T_m (N.m)	7.17	
Maximum Current I_m (A)	11.7	
Standstill torque T_s (N.m)	2.63	
Standstill current I_s (A)	4.29	
Resistance line-line R_L (Ω)	1.4	
Inductance line-line L_L (mH)	7.5	
Electrical time constant τ_e (ms)	5.35	
Mechanical time constant τ_m (ms)	0.75	
Voltage constant K_e (V/krpm)	40	
Torque constant K_t (Nm/A)	0.662	
Rotor moment of inertia J_m (Kg.cm ²)	1.36	
Max. voltage rising du/dt (KV/ μ s)	8	
Insulation class	F	
Max. radial force F_r (N)	335	
Max. axial force F_a (N)	167.5	
Weight(Kg)	3.3	
Feed back device	MAR-H50A-HN20	
Temperature sensor	KTY84-130	
Cooling method	Totally enclosed non-ventilated	
protection level	IP65,shaft sealing IP54	
Environmental conditions	Temperature	-20 \sim -40 \circ C
	Humidity	Below 90%RH (No dewing)
	Environment	Far away active gas,combustible gas,oil drop,ash.
Rating conditions	Installation altitude	UP TO 1000m:rated power, above 1000m:1.5% power decreasing per 100m,max.4000m
	Mounting	Aluminum flange 255x255x6mm
	Temperature	60K housing temperature ring at 40 \circ C ambient



Elmo DC BRUSHLESS MOTOR
Motion Control L80-753026ANC

W 750	V 300
A 3.9	Nm 2.39
RPM 3000	Ins F IP65

MADE for Elmo by Kinavo CHINA
S/N: 307011326KYDDDDNNNN

CE
C RU US
E505281

REV	Description of Change	REV	ECN NO.	DRN	APP D	DATE	DESIGN	DATE	P.N.
(V2)	Change in DC bus voltage Add the wires gage for all wires Add the cable diameter to all cables Add the sign of CE Add the sign of aganist knock lable						VJL	2019-1-30	307011326SS
							ZZB	2019-1-30	TITLE Outside Drawing
							SL	2019-1-30	USED ON L80-753026ANC
									DWG NO. REV V2.0
									ELMO MOTOR