

PIN	FUNCTION	WIRE GAGE
1	BRAKE (+) RED	24AWG
2	BRAKE (-) BLUE	



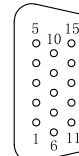
Connector Detail (Brake Wire)
Brake Wire Cable diameter 6mm

PIN	FUNCTION	WIRE GAGE
1	MOTOR U YELLOW	20AWG
2	MOTOR V RED	
3	MOTOR W BLACK	
4	MOTOR PE \oplus YELLOW/GREEN Shield	



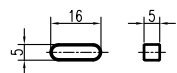
Connector Detail (Power Wire)
Power Wire Cable diameter 6.5mm

PIN	FUNCTION	COLOR	WIRE GAGE	PIN	FUNCTION	COLOR	WIRE GAGE
1	VCC +5V	WHITE	28AWG	9	SD	BLUE	28AWG
2	GND	BLACK		10	NC	NC	
3	Shield	Shield	28AWG	11	NC	NC	
4	VB	ORANGE		12	NC	NC	
5	GND	BROWN		13	NC	NC	
6	NC	NC		14	/SD	PURPLE	28AWG
7	NC	NC		15	NC	NC	
8	NC	NC					

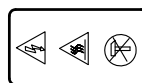
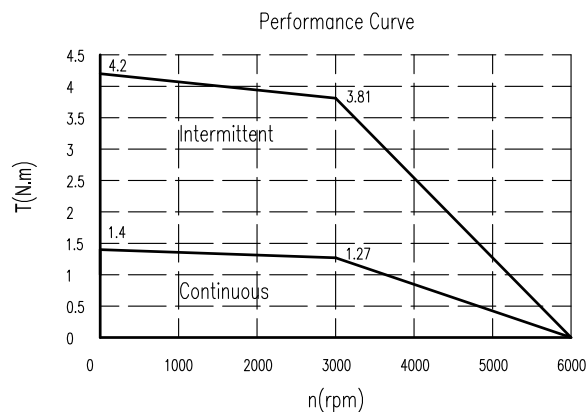
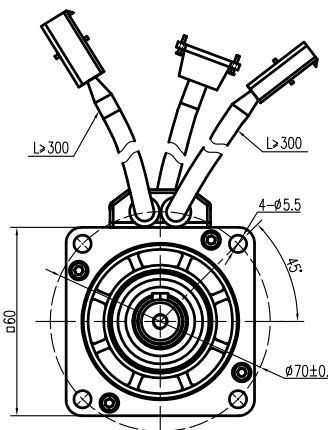
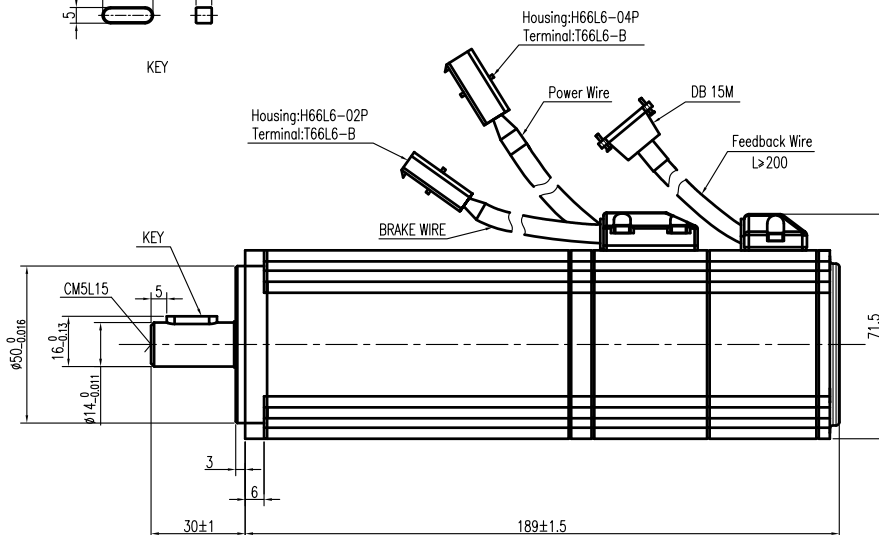


DB 15M

Connector Detail (Feedback Wire)
Feedback Wire Cable diameter 6mm



KEY



v2.0/B

Elmo MOTOR CONTROL

DC BRUSHLESS MOTOR
L60-403026ABL

W 400	V 300
A 2.94	Nm 1.27
RPM 3000	Ins F IP65

Holding brake: 24V_{DC} M=1.3Nm

MADE for Elmo by Kinavo CHINA
S/N: 307011320KYDDDDNNNN

CE, RoHS, UL, E505281

Brake Data

Static friction	1.3N.m
Voltage	24VDC
Power	11.2w

Technical Data

No. of poles	6	
DC Link Voltage U _{DC} (DC Link)	300	
Rated Power P _x (W)	400	
Rated Torque T _r (N.m)	1.27	
Rated Speed n _r (rpm)	3000	
Rated Current I _r (A)	2.94	
Maximum torque T _m (N.m)	3.81	
Maximum Current I _m (A)	8.82	
Standstill torque T _s (N.m)	1.4	
Standstill current I _s (A)	3.23	
Resistance line-line R _L (Ω)	3.5	
Inductance line-line L _L (mH)	7.8	
Electrical time constant τ_e (ms)	2.23	
Mechanical time constant τ_m (ms)	1.27	
Voltage constant K _v (V/rpm)	29	
Torque constant K _t (Nm/A)	0.48	
Rotor moment of inertia J _m (Kg.cm ²)	0.483	
Max. voltage rising du/dt(KV/ μ s)	8	
Insulation class	F	
Max. radial force Fr(N)	180	
Max. axial force Fa(N)	90	
Weight(Kg)	2.3	
Feed back device	MAR-H50A-HN20	
Temperature sensor	n.a.	
Cooling method	Totally enclosed non-ventilated	
protection level	IP65,shaft sealing IP54	
Environmental conditions	Temperature	-20 \circ ~40 \circ
	Humidity	Below 90%RH (No dewing)
	Environment	Far away active gas,combustible gas,oil drop,ash.
Rating conditions	Installation altitude	UP TO 1000m:rated power, above 1000m:1.5% power decreasing per 100m,max.4000m
	Mounting	Aluminum flange 255x255x6mm
	Temperature	60K housing temperature ring at 40 \circ ambient

REV	Description of Change	REV	ECN NO.	DRN	APP'D	DATE	DESIGN	DATE	P/N.
(b)	Change brake power from 7.2W to 11.2W						WYD	19-1-30	307011320SS
(c)	Add the wires gage for all wires Add the cable diameter to all cables Add the sign of against knock table						CHECK	19-1-30	Outside Drawing
(v1)	Rated Current ,Maximum Current, Standstill Current has been changed						APPD	19-1-30	L60-403026ABL
v2.0/B	Change in DC bus voltage						SL	19-1-30	REV V2.0

UNLESS OTHERWISE SPECIFIED TOLERANCES:
DECIMALS: .x ± 0.5 ANGULAR: .xxx ± 0.25 $\pm 0^{\circ}30'$
UNIT: mm
DO NOT SCALE DRAWING

FIRST ANGLE PROJECTION

SCALE OF SHEET

ELMO MOTOR