

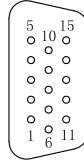
PIN	FUNCTION	COLOR	WIRE GAGE
1	MOTOR U	YELLOW	20AWG
2	MOTOR V	RED	
3	MOTOR W	BLACK	
4	MOTOR PE \neq	YELLOW/GREEN Shield	



Housing:H66L6-04P
Terminal:T66L6-B

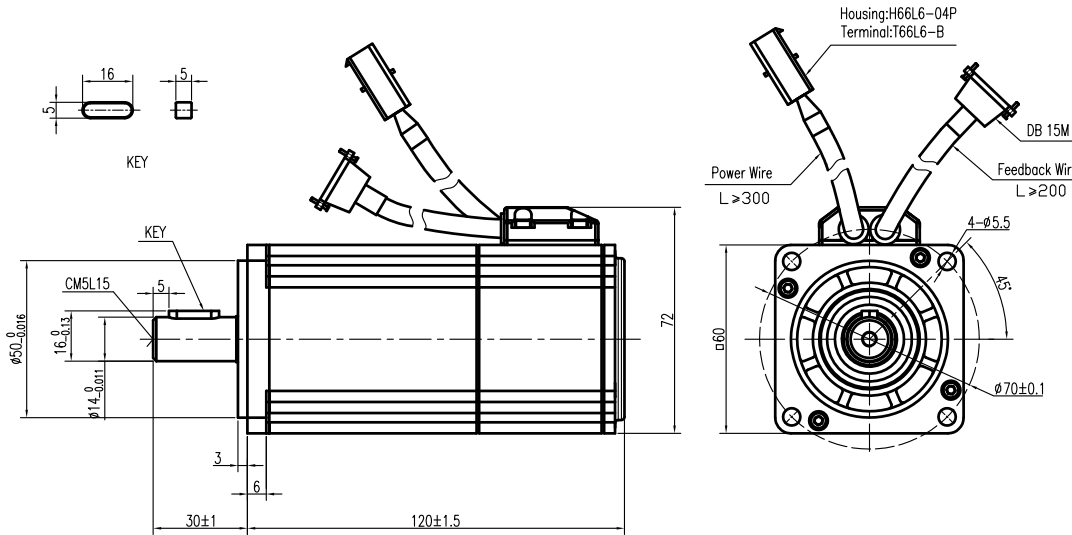
Connector Detail (Power Wire)
Power Wire Cable diameter 6.5mm

PIN	FUNCTION	COLOR	WIRE GAGE	PIN	FUNCTION	COLOR	WIRE GAGE
1	VCC +5V	WHITE	28AWG	9	SD	BLUE	28AWG
2	GND	BLACK		10	NC	NC	
3	Shield	Shield	28AWG	11	NC	NC	
4	VB	ORANGE		12	NC	NC	
5	GND	BROWN		13	NC	NC	
6	NC	NC		14	/SD	PURPLE	28AWG
7	NC	NC		15	NC	NC	
8	NC	NC					

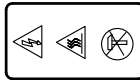
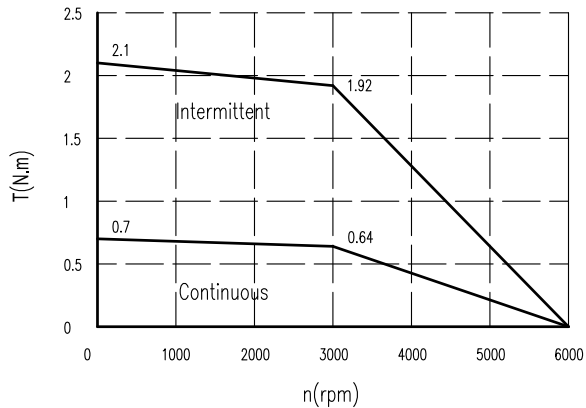


DB 15M

Connector Detail (Feedback Wire)
Feedback Wire Cable diameter 6mm



Performance Curve



V2.0/B

Elmo DC BRUSHLESS MOTOR
L60-203026ANL

W	200	V	300
A	1.63	Nm	0.64
RPM	3000	Ins	F IP65

MADE for Elmo by Kinavo CHINA
S/N: 307011308KYDDNNNN

CE, RoHS, UL, E505281



Technical Data

No. of poles	6	
DC Link Voltage U_{dc} (DC Link)	300	
Rated Power P_N (W)	200	
Rated Torque T_N (N.m)	0.64	
Rated Speed n_n (rpm)	3000	
Rated Current I_n (A)	1.63	
Maximum torque T_m (N.m)	1.92	
Maximum Current I_m (A)	4.89	
Standstill torque T_s (N.m)	0.7	
Standstill current I_s (A)	1.79	
Resistance line-line R_L (Ω)	8	
Inductance line-line L_L (mH)	16.3	
Electrical time constant τ_e (ms)	2.04	
Mechanical time constant τ_m (ms)	1.55	
Voltage constant K_e (V/krpm)	29	
Torque constant K_t (Nm/A)	0.48	
Rotor moment of inertia J_m (Kg.cm ²)	0.258	
Max. voltage rising du/dt (KV/ μ s)	8	
Insulation class	F	
Max. radial force F_r (N)	180	
Max. axial force F_a (N)	90	
Weight (Kg)	1.3	
Feed back device	MAR-H50A-HN20	
Temperature sensor	n.a.	
Cooling method	Totally enclosed non-ventilated	
protection level	IP65,shaft sealing IP54	
Environmental conditions	Temperature	-20 \sim 40 \circ C
	Humidity	Below 90%RH (No dewing)
	Environment	Far away active gas,combustible gas,oil drop,ash.
Rating conditions	Installation altitude	UP TO 1000m:rated power, above 1000m:1.5% power decreasing per 100m,max.4000m
	Mounting	Aluminum flange 255x255x6mm
	Temperature	60K housing temperature ring at 40 \circ ambient

REV	Description of Change	REV	ECN NO.	DRN	APP'D	DATE	DESIGN	DATE	P/N.
(b)	Add the wires gage for all wires Add the cable diameter to all cables Add the sign of against knock lable						WYD	19-1-30	307011308SS
(1.3)	Rated Current ,Maximum Current, Standstill Current has been changed						CHECK	19-1-30	Outside Drawing
V2.0/B	Change in DC bus voltage						APPD	19-1-30	L60-203026ANL
							SL	19-1-30	DWG NO.
									REV V2.0
							FIRST ANGLE PROJECTION	SCALE	ELMO MOTOR
								SHEET OF	