

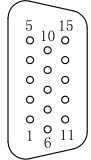
PIN	FUNCTION	COLOR	WIRE GAGE
1	MOTOR U	YELLOW	20AWG
2	MOTOR V	RED	
3	MOTOR W	BLACK	
4	MOTOR PE \neq	YELLOW/GREEN Shield	



Housing:H66L6-04P
Terminal:T66L6-B

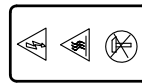
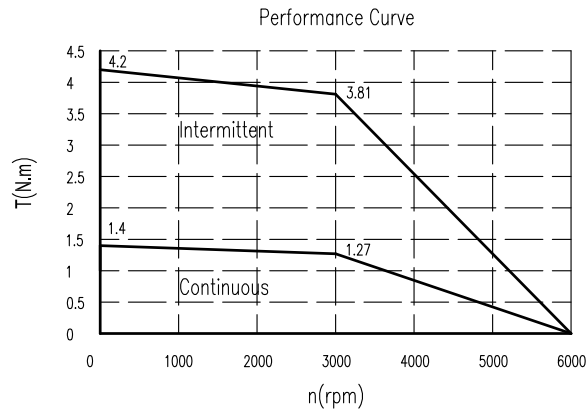
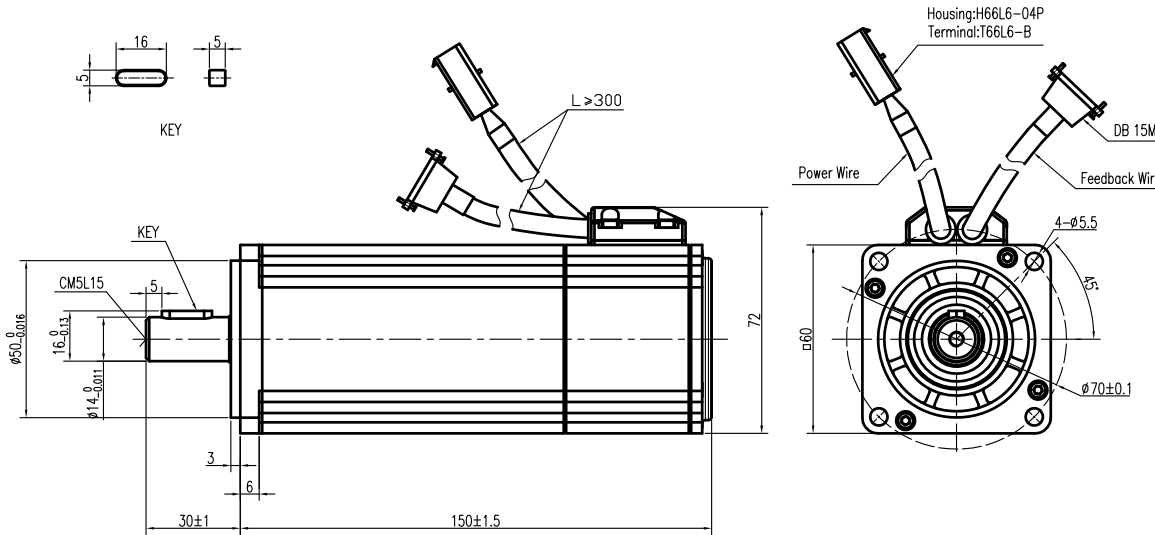
Connector Detail (Power Wire)
Power Wire Cable diameter 6.5mm

PIN	FUNCTION	COLOR	WIRE GAGE	PIN	FUNCTION	COLOR	WIRE GAGE
1	DC +5V	RED	28AWG	9	W	GRAY/BLACK	28AWG
2	GND	BLACK		10	V	WHITE/BLACK	
3	Shield	Shield		11	/Z	YELLOW/BLACK	
4	U	BROWN/BLACK	12	/B	GREEN/BLACK		
5	/U	BROWN	13	/A	BLUE		
6	Z	YELLOW	14	/W	GRAY		
7	B	GREEN	15	/V	WHITE		
8	A	BLUE/BLACK					



DB 15M

Connector Detail (Feedback Wire)
Feedback Wire Cable diameter 6mm



V2.0/B

Elmo DC BRUSHLESS MOTOR
L60-403026ENL

W	400	V	300
A	2.94	Nm	1.27
RPM	3000	Ins	F
		IP	IP65

MADE for Elmo by Kinavo CHINA
S/N: 307011256KYYDDNNNN

CE, RoHS, UL, E505281



Technical Data

No. of poles	6	
DC Link Voltage U_{dc} (DC Link)	300	
Rated Power P_n (W)	400	
Rated Torque T_n (N.m)	1.27	
Rated Speed n_n (rpm)	3000	
Rated Current I_n (A)	2.94	
Maximum torque T_m (N.m)	3.81	
Maximum Current I_m (A)	8.82	
Standstill torque T_s (N.m)	1.4	
Standstill current I_s (A)	3.23	
Resistance line-line R_L (Ω)	3.5	
Inductance line-line L_L (mH)	7.8	
Electrical time constant τ_e (ms)	2.23	
Mechanical time constant τ_m (ms)	1.26	
Voltage constant K_e (V/krpm)	29	
Torque constant K_t (Nm/A)	0.48	
Rotor moment of inertia J_m (Kg.cm ²)	0.479	
Max. voltage rising du/dt (KV/ μ s)	8	
Insulation class	F	
Max. radial force F_r (N)	180	
Max. axial force F_a (N)	90	
Weight (Kg)	1.8	
Feedback device	2500p/rev incremental encoder TS6014N115	
Temperature sensor	n.a.	
Cooling method	Totally enclosed non-ventilated	
protection level	IP65, shaft sealing IP54	
Environmental conditions	Temperature	-20 \sim 40 \circ C
	Humidity	Below 90%RH (No dewing)
	Environment	Far away active gas, combustible gas, oil drop, ash.
Rating conditions	Installation altitude	UP TO 1000m: rated power, above 1000m: 1.5% power decreasing per 100m, max. 4000m
	Mounting	Aluminum flange 255x255x6mm
	Temperature	60K housing temperature ring at 40 \circ ambient

REV	Description of Change	REV	ECN NO.	DRN	APP'D	DATE	DESIGN	DATE	P/N.
(b)	Add the wires gage for all wires Add the cable diameter to all cables Add the sign of against knock lable						WYD	19-1-30	307011256SS
(1.3)	Rated Current ,Maximum Current, Standstill Current has been changed	UNLESS OTHERWISE SPECIFIED TOLERANCES:		MATERIAL	CONTR.	CHECK	LS	19-1-30	Outside Drawing
V2.0/B	Change in DC bus voltage	DECIMALS: ± 0.5 ANGULAR: $\pm 0^{\circ}30'$				APPD	SL	19-1-30	L60-403026ENL
		.xx ± 0.25							DWG NO.
		.xxx ± 0.1							REV V2.0
		UNIT: mm		FIRST ANGLE PROJECTION		SCALE			
		DO NOT SCALE DRAWING				SHEET	OF		ELMO MOTOR