

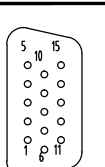
FUNCTION	COLOUR	
MOTOR U	YELLOW	AWG20
MOTOR V	RED	AWG20
MOTOR W BLACK	BLACK	AWG20
MOTOR PE	YELLOW/GREEN	AWG20



Housing:H66L6-04P
Terminal:T66L6-A

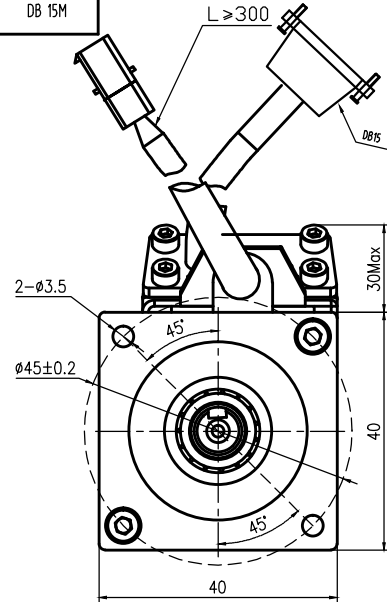
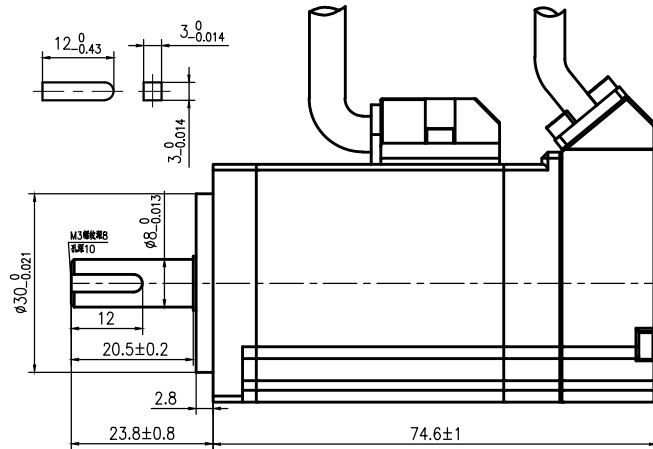
Connector Detail (Power Wire Cable diameter 6.5mm)

PIN	FUNCTION	COLOR		PIN	FUNCTION	COLOR	
1	VCC +5V	WHITE	AWG28	9	SD	BLUE	AWG28
2	GND	BLACK		10	NC	NC	
3	shield			11	NC	NC	
4	NC	NC		12	NC	NC	
5	NC	NC		13	NC	NC	
6	NC	NC		14	/SD	PURPLE	AWG28
7	NC	NC		15	NC	NC	
8	NC	NC					

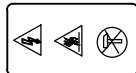
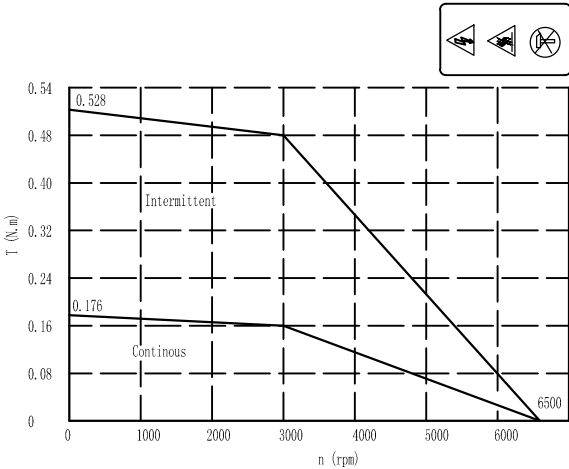


DB 15M

Connector Detail (Feedback Wire Cable diameter 5mm)



Technical Data		
No. of poles	10	
DC Link Voltage U_{dc} (DC Link)	48	
Rated Power P_n (W)	50	
Rated Torque T_n (N.m)	0.16	
Rated Speed n_n (rpm)	3000	
Rated Current I_n (A)	1.5	
Maximum torque T_m (N.m)	0.48	
Maximum Current I_m (A)	4.5	
Standstill torque T_s (N.m)	0.176	
Standstill current I_s (A)	1.65	
Resistance line-line R_L (Ω)	4.1	
Inductance line-line L_L (mH)	4.5	
Electrical time constant τ_e (ms)	1.1	
Mechanical time constant τ_m (ms)	1.0	
Voltage constant K_e (V/krpm)	7	
Torque constant K_t (Nm/A)	0.11	
Rotor moment of inertia J_m (Kg.cm ²)	0.018	
Max. voltage rising du/dt (KV/ μ s)	8	
Insulation class	F	
Max. radial force F_r (N)	120	
Max. axial force F_a (N)	60	
Weight(Kg)	0.4	
Feed back device	SAR-ML50AJC00	
Temperature sensor	n.a.	
Cooling method	Totally enclosed non-ventilated	
protection level	IP65,shaft sealing IP54	
Environmental conditions	Temperature	-20 $^{\circ}$ C~40 $^{\circ}$ C
	Humidity	Below 90%RH (No dewing)
	Environment	Far away active gas,combustible gas,oil drop,ash.
Rating conditions	Installation altitude	UP TO 1000m-rated power, above 1000m:15% power decreasing per 100m,max.4000m
	Mounting	Aluminum flange 175x200x10mm
	Temperature	60K housing temperature ring at 40 $^{\circ}$ C ambient



Elmo DC BRUSHLESS MOTOR
Motion Control
L40-530A10SNL

W	50	V	48
A	1.5	Nm	0.16
RPM	3000	Ins	F
		IP	65

MADE for Elmo by Kinavo CHINA
S/N: 307011206KYYDDDDNNNN
E505281

REV	DESCRIPTION	REV	ECN NO.	DESCRIPTION	DRN	APP'D	DATE	DESIGN	DATE	P/N.
								ZZB	2019-01-14	307011206SS
								CHECK		TITLE
								YJL	2019-01-14	Outside Drawing
								APPD		USED ON
								S L	2019-01-14	L40-530A10SNL
										DWG NO.
										REV
										V2.0
										ELMO MOTOR
										SHEET
										OF