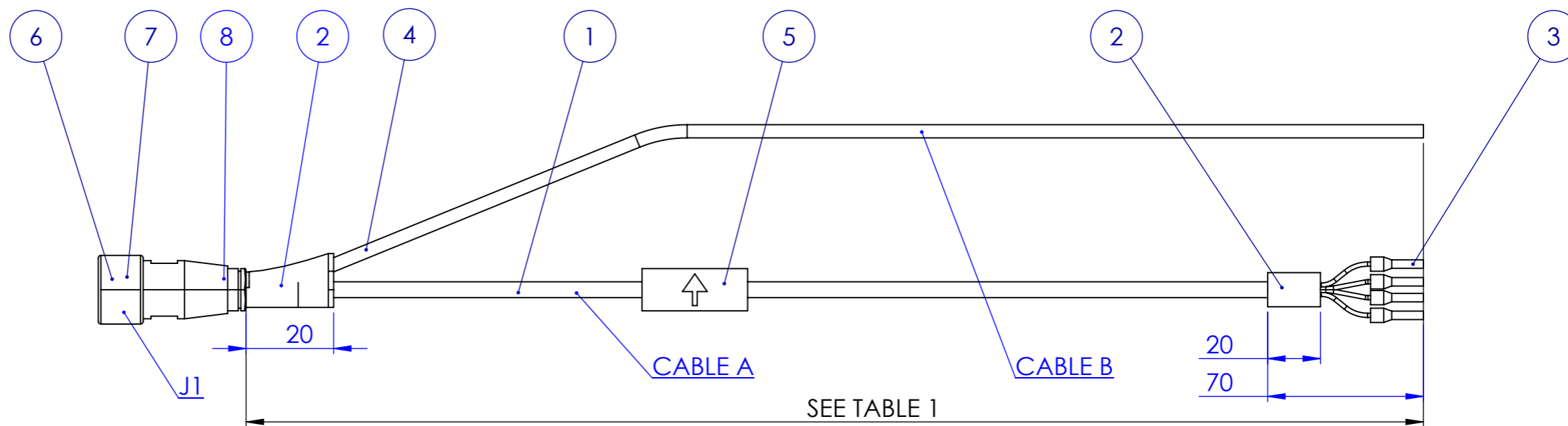
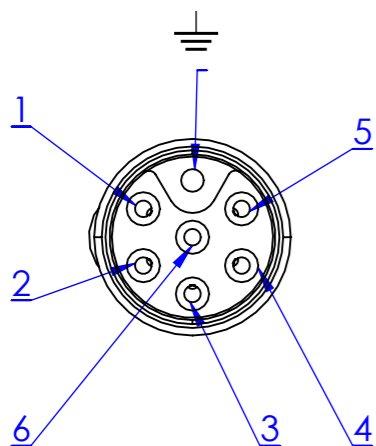


ECO NO.	REV.
ECO 07824	A
ECO-08281	B

J1 FRONT VIEW



SEE TABLE 1

TABLE 1

ELMO P/N	LENGHT IN METERS	LABEL
CBL-PML80BR300V	2.0 m	CBL-PML80BR300V
CBL-PML80BR300V-5	5.0 m	CBL-PML80BR300V-5

NOTE	COLOR	FROM J1	TO	SIGNAL
CABLE A	WHITE	1	ENDING FERRULE	M1
	RED	2	ENDING FERRULE	M2
	BLACK	3	ENDING FERRULE	M3
	GREEN	⏏	ENDING FERRULE	PE
CABLE B	BLACK	4	OPEN	BRAKE
	RED	5	OPEN	BRAKE
		6	N.C.	-

ITEM NO.	PART NUMBER	DESCRIPTION	QTY.
1	WIP-024X18	18 AWG SINGLE CORES OVER	SEE TABLE 1
2	STB-29520	BLACK SRINK 3/8 "	40mm
3	JCF-031516G0	ENDING FERRULE 16 #	4
4	WIP-022X24	TWISTED PAIRS 24 #	SEE TABLE 1
5	LABEL	SEE TABLE 1.	1
6	JCW-M17P07A	M17 POWER CIRCULAR PLUG 7PINS INTERCONTEC P/N: BSTA880NN0086201A000	1
7	JCW-M17PCF1	M17 POWER CRIMP TERMINAL SPRING D=1MM FEMALE INTERCONTEC P/N: 60.159.11	6
8	STB-21170	BLACK SRINK 3/64"	6 X 10 mm

NOTES: COVER EACH WIRE IN J1 WITH ITEM 8

ALL DIMENSIONS ARE IN MM.

RoHS Compliance



DO NOT MEASURE THE DRAWING. ALL DIMENSIONS BEFORE COATING.

	NAME	SIG	DATE
DRAWN	A.C.		21/08/2014
DESIGN	RamiCh		21/08/2014
CHECK			
APVD.	-		-

TITLE			
Motor Cable , M17, 14A, Brake			
SIZE A3	SCALE 1:2	DWG. NO. MD-00634	REV. B
PAGE: 1	OF: 1	CAT. NO. CBL-PML80BR300V	

FILE NAME: MD-00634B.sldprt