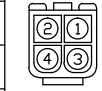


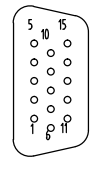
FUNCTION	COLOUR	
MOTOR U	YELLOW	AWG20
MOTOR V	RED	AWG20
MOTOR W BLACK	BLACK	AWG20
MOTOR PE	YELLOW/GREEN	AWG20



Housing:H66L6-04P
Terminal:T66L6-A

Connector Detail (Power Wire Cable diameter 6.5mm)

PIN	FUNCTION	COLOR		PIN	FUNCTION	COLOR
1	VCC +5V	WHITE	AWG28	9	SD	BLUE
2	GND	BLACK		10	NC	NC
3	shield			11	NC	NC
4	NC	NC		12	NC	NC
5	NC	NC		13	NC	NC
6	NC	NC		14	/SD	PURPLE
7	NC	NC		15	NC	NC
8	NC	NC				



DB 15M

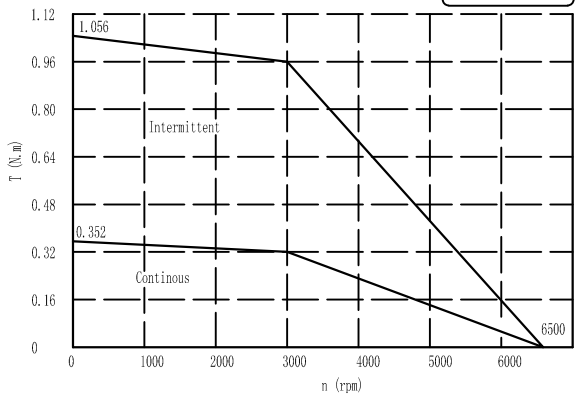
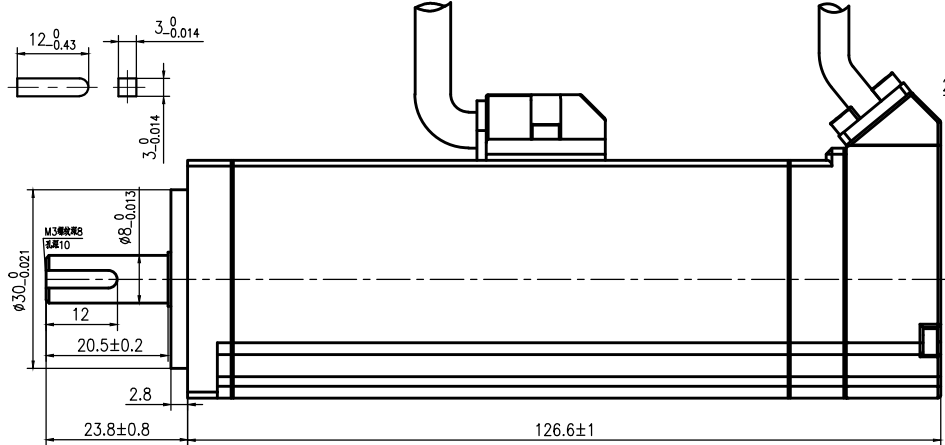
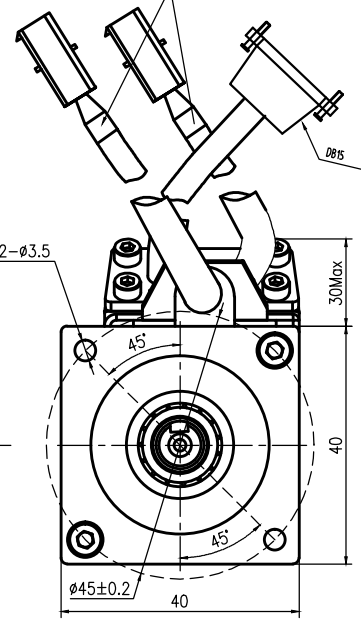
Connector Detail (Feedback Wire Cable diameter 5mm)

COLOUR	FUNCTION	
YELLOW	BRAKE(24V)+	AWG24
YELLOW	BRAKE(0V)-	AWG24



Housing:H66L6-02P
Terminal:T66L5-A

Connector Detail (Brake Wire Cable diameter 6mm)
L ≥ 300



Elmo MOTOR EXPERT
DC BRUSHLESS MOTOR
L40-1030210SBL

W 100	V 300
A 1.3	Nm 0.32
RPM 3000	Ins F IP 65

Holding brake:24V_{DC} M=0.32Nm

MADE for Elmo by Kinavo CHINA E505281

S/N: *****KYDDNNNN

Brake Data			
Mo	0.32Nm	Pw	5.9W
Voltage U _{bc}	24	Max speed	5000

Technical Data	
No. of poles	10
DC Link Voltage U _{bc} (DC Link)	300
Rated Power P _w (W)	100
Rated Torque T _w (N.m)	0.32
Rated Speed n _w (rpm)	3000
Rated Current I _w (A)	1.3
Maximum torque T _m (N.m)	0.96
Maximum Current I _m (A)	3.9
Standstill torque T _s (N.m)	0.352
Standstill current I _s (A)	1.43
Resistance line-line R _L (Ω)	7.9
Inductance line-line L _L (mH)	10.5
Electrical time constant τ _e (ms)	1.33
Mechanical time constant τ _m (ms)	0.88
Voltage constant K _e (V/krpm)	16.2
Torque constant K _t (Nm/A)	0.268
Rotor moment of inertia J _m (Kg.cm ²)	0.046
Max. voltage rising du/dt(KV/μs)	8
Insulation class	F
Max. radial force Fr(N)	120
Max. axial force Fa(N)	60
Weight(Kg)	0.77

Feed back device	SAR-ML50AJC00	
Temperature sensor	n.a.	
Cooling method	Totally enclosed non-ventilated	
protection level	IP65,shaft sealing IP54	
Environmental conditions	Temperature	-20℃~40℃
	Humidity	Below 90%RH (No dewing)
	Environment	Far away active gas,combustible gas,oil drop,ash.
Rating conditions	Installation altitude	UP TO 1000m-rated power, above 1000m:15% power decreasing per 100m,max.4000m
	Mounting	Aluminum flange 175x200x10mm
	Temperature	60K housing temperature ring at 40℃ ambient

REV	DESCRIPTION	REV	ECN NO.	DESCRIPTION	DRN	APP'D	DATE	DESIGN	DATE	P.N.
								ZZB	20190114	
		UNLESS OTHERWISE SPECIFIED		MATERIAL		CONTR.		CHECK		TITLE
		TOLERANCES:						YJL	20190114	USED ON
		DECIMALS:		ANGULAR:				APPD		L40-1030210SBL
		.x ±0.5		±0°30'				SL	20190114	DWG NO.
		.xx ±0.25								REV
		.xxx ±0.1								V2.0
		UNIT: mm				FIRST ANGLE PROJECTION		SCALE		ELMO MOTOR
		DO NOT SCALE DRAWING						SHEET	OF	