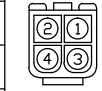


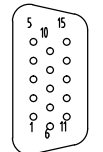
FUNCTION	COLOUR	
MOTOR U	YELLOW	AWG20
MOTOR V	RED	AWG20
MOTOR W BLACK	BLACK	AWG20
MOTOR PE	YELLOW/GREEN	AWG20



Housing:H66L6-04P  
Terminal:T66L6-A

Connector Detail (Power Wire Cable diameter 6.5mm)

PIN	FUNCTION	COLOR		PIN	FUNCTION	COLOR	
1	VCC +5V	WHITE	AWG28	9	SD	BLUE	AWG28
2	GND	BLACK		10	NC	NC	
3	shield			11	NC	NC	
4	NC	NC		12	NC	NC	
5	NC	NC		13	NC	NC	
6	NC	NC		14	/SD	PURPLE	AWG28
7	NC	NC		15	NC	NC	
8	NC	NC					



DB 15M

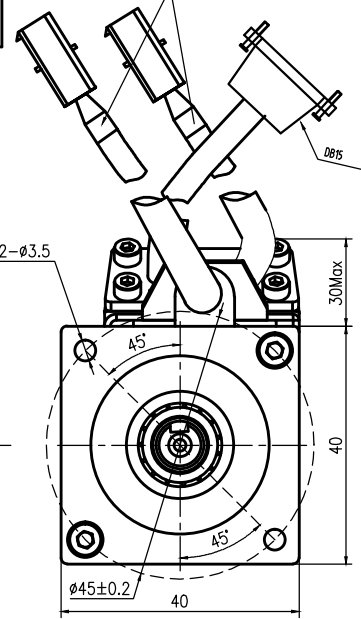
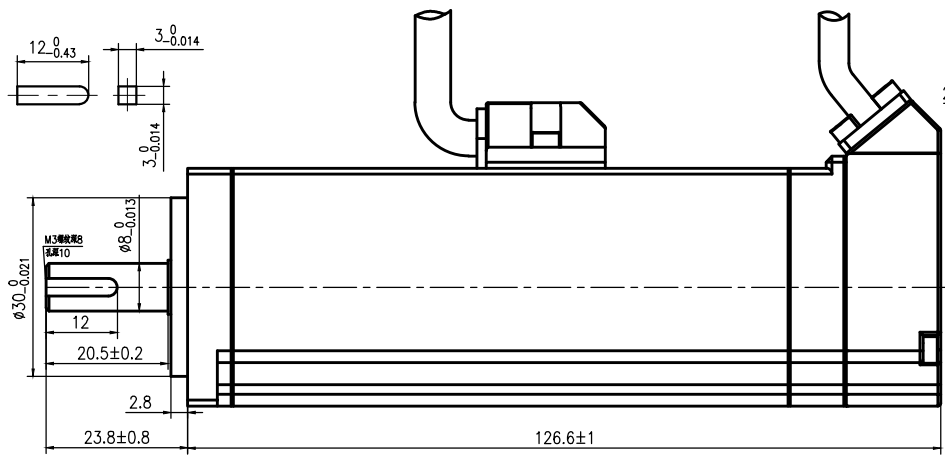
Connector Detail (Feedback Wire Cable diameter 5mm)

COLOUR	FUNCTION	
YELLOW	BRAKE(24V)+	AWG24
YELLOW	BRAKE(0V)-	AWG24



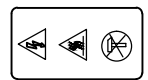
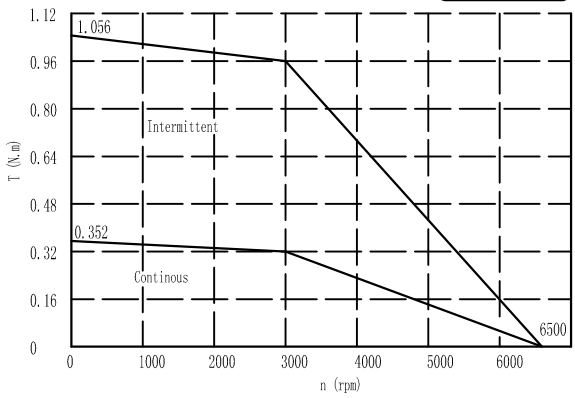
Housing:H66L6-02P  
Terminal:T66L5-A

Connector Detail (Brake Wire Cable diameter 6mm)  
L ≥ 300



Brake Data			
Mo	0.32Nm	Pw	5.9W
Voltage Ubc	24	Max speed	5000

Technical Data	
No. of poles	10
DC Link Voltage Ubc (DC Link)	48
Rated Power Pw(W)	100
Rated Torque Tw(N.m)	0.32
Rated Speed nw(rpm)	3000
Rated Current Iw(A)	3.2
Maximum torque Tm(N.m)	0.96
Maximum Current Im(A)	9.6
Standstill torque Ts(N.m)	0.352
Standstill current Is(A)	3.52
Resistance line-line Rl(Ω)	15
Inductance line-line Ll(mH)	1.9
Electrical time constant τe(ms)	1.27
Mechanical time constant τm(ms)	0.94
Voltage constant Kv(V/krpm)	7
Torque constant Kt(Nm/A)	0.11
Rotor moment of inertia Jm(Kg.cm <sup>2</sup> )	0.046
Max. voltage rising du/dt(KV/μs)	8
Insulation class	F
Max. radial force Fr(N)	120
Max. axial force Fa(N)	60
Weight(Kg)	0.77
Feed back device	SAR-ML50AJC00
Temperature sensor	n.a.
Cooling method	Totally enclosed non-ventilated
protection level	IP65,shaft sealing IP54



**Elmo** MOTOR CHINA  
DC BRUSHLESS MOTOR  
L40-1030A10SBL

W 100	V 48
A 3.2	Nm 0.32
RPM 3000	Ins F IP 65

Holding brake:24Vdc M=0.32Nm  
MADE For Elmo by Kinavo CHINA E505281  
S/N: 307011495KYYDDNNNN

REV	DESCRIPTION	REV	ECN NO.	DRN	APP'D	DATE	DESIGN	DATE	P.N.
V2.0/A	Add shaft end screw hole dimension;change brake wire color from red and black to yellow;Add UL mark on motor body label;						ZZB	2019-01-14	307011495SS
		UNLESS OTHERWISE SPECIFIED TOLERANCES:		MATERIAL		CONTR.		CHECK	
		DECIMALS: .x ±0.5 .xx ±0.25 .xxx ±0.1		ANGULAR: ±0°30'				YJL	
		UNIT: mm		DO NOT SCALE DRAWING				APPD	
								SL	
								2019-01-14	
								2019-01-14	
								USED ON	
								L40-1030A10SBL	
								DWG NO.	
								REV	
								V2.0	
								ELMO MOTOR	
								SCALE	
								SHEET OF	