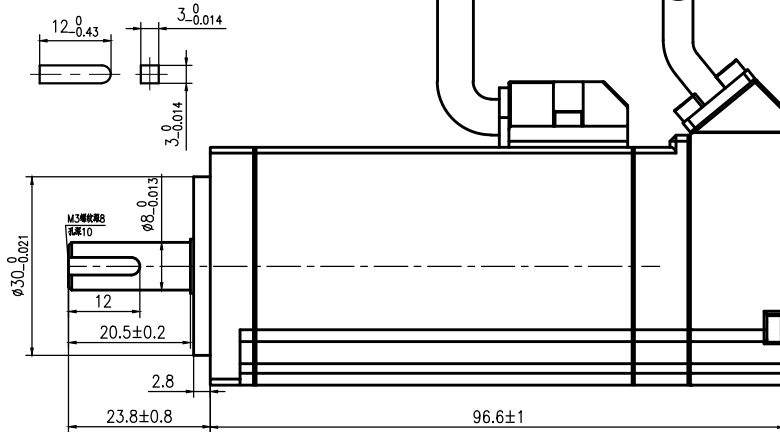


FUNCTION	COLOUR	
MOTOR U	YELLOW	AWG20
MOTOR V	RED	AWG20
MOTOR W BLACK	BLACK	AWG20
MOTOR PE	YELLOW/GREEN	AWG20

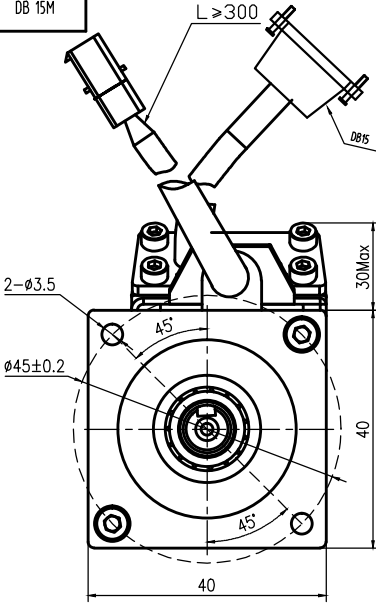
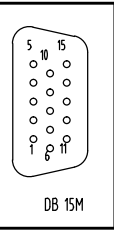


Housing:H66L6-04P
Terminal:T66L6-A

Connector Detail (Power Wire Cable diameter 6.5mm)

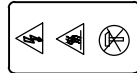
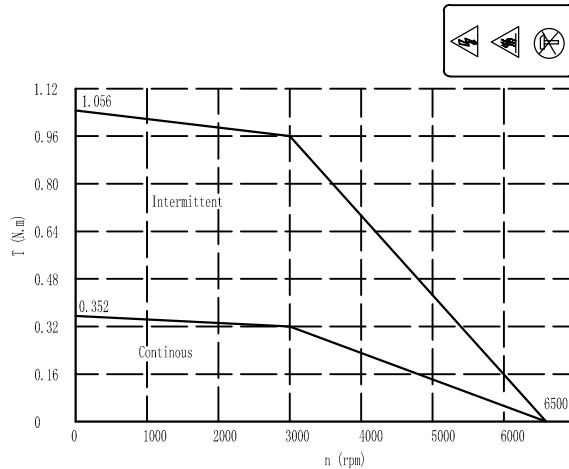


PIN	FUNCTION	COLOR		PIN	FUNCTION	COLOR	
1	VCC +5V	WHITE	AWG28	9	SD	BLUE	AWG28
2	GND	BLACK		10	NC	NC	
3	shield			11	NC	NC	
4	VB	ORANGE	AWG28	12	NC	NC	
5	GND	BROWN		13	NC	NC	
6	NC	NC		14	/SD	PURPLE	AWG28
7	NC	NC		15	NC	NC	
8	NC	NC					



Connector Detail (Feedback Wire Cable diameter 5mm)

Technical Data		
No. of poles	10	
DC Link Voltage U_{dc} (DC Link)	48	
Rated Power P_n (W)	100	
Rated Torque T_n (N.m)	0.32	
Rated Speed n_n (rpm)	3000	
Rated Current I_n (A)	3.2	
Maximum torque T_m (N.m)	0.96	
Maximum Current I_m (A)	9.6	
Standstill torque T_s (N.m)	0.352	
Standstill current I_s (A)	3.52	
Resistance line-line R_L (Ω)	15	
Inductance line-line L_L (mH)	1.9	
Electrical time constant τ_e (ms)	1.27	
Mechanical time constant τ_m (ms)	0.67	
Voltage constant K_e (V/krpm)	7	
Torque constant K_t (Nm/A)	0.11	
Rotor moment of inertia J_m (Kg.cm ²)	0.033	
Max. voltage rising du/dt (KV/ μ s)	8	
Insulation class	F	
Max. radial force F_r (N)	120	
Max. axial force F_a (N)	60	
Weight(Kg)	0.57	
Feed back device	MAR-MX50AHN00	
Temperature sensor	n.a.	
Cooling method	Totally enclosed non-ventilated	
protection level	IP65,shaft sealing IP54	
Environmental conditions	Temperature	-20 \sim 40 \circ C
	Humidity	Below 90%RH (No dewing)
	Environment	Far away active gas,combustible gas,oil drop,ash.
Rating conditions	Installation altitude	UP TO 1000m-rated power, above 1000m:15% power decreasing per 100m,max.4000m
	Mounting	Aluminum flange 175x200x10mm
	Temperature	60K housing temperature ring at 40 \circ C ambient



Elmo DC BRUSHLESS MOTOR
L40-1030A10ANL

W 100	V 48
A 3.2	Nm 0.32
RPM 3000	Ins F IP 65

MADE for Elmo by Kinavo CHINA
S/N: 307011209KYDDDDNNNN
E505281

REV	DESCRIPTION	REV	ECN NO.	DESCRIPTION	DRN	APP'D	DATE	DESIGN	DATE	P.N.	307011209SS
								ZZB	2019-01-14	TITLE	Outside Drawing
				UNLESS OTHERWISE SPECIFIED				CHECK		USED ON	L40-1030A10ANL
				TOLERANCES:				YJL	2019-01-14	DWG NO.	
				DECIMALS:				APPD		REV	V2.0
				.x ± 0.5				S L	2019-01-14		
				.xx ± 0.25							
				.xxx ± 0.1							
				UNIT: mm				FIRST ANGLE PROJECTION	SCALE		
				DO NOT SCALE DRAWING					SHEET	OF	