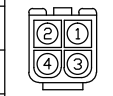


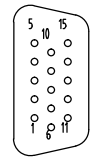
FUNCTION	COLOUR	AWG
MOTOR U	YELLOW	AWG20
MOTOR V	RED	AWG20
MOTOR W BLACK	BLACK	AWG20
MOTOR PE	YELLOW/GREEN	AWG20



Housing:H66L6-04P
Terminal:T66L6-A

Connector Detail (Power Wire Cable diameter 6.5mm)

PIN	FUNCTION	COLOR	AWG	PIN	FUNCTION	COLOR	AWG
1	VCC +5V	WHITE	AWG28	9	SD	BLUE	AWG28
2	GND	BLACK		10	NC	NC	
3	shield			11	NC	NC	
4	NC	NC		12	NC	NC	
5	NC	NC		13	NC	NC	
6	NC	NC		14	/SD	PURPLE	AWG28
7	NC	NC		15	NC	NC	
8	NC	NC					



DB 15M

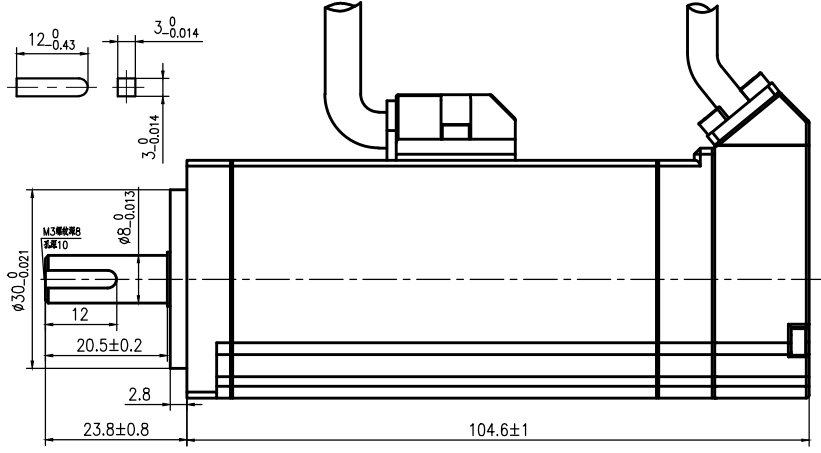
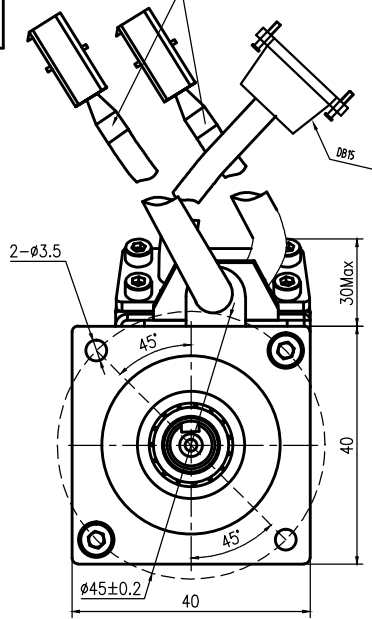
Connector Detail (Feedback Wire Cable diameter 5mm)

COLOUR	FUNCTION	AWG
YELLOW	BRAKE(24V)+	AWG24
YELLOW	BRAKE(0V)-	AWG24



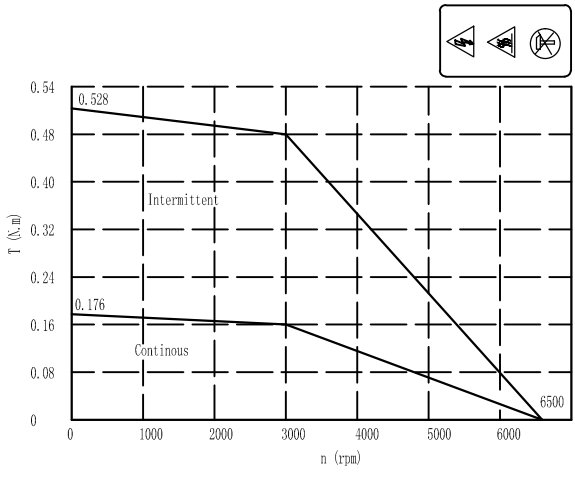
Housing:H66L6-02P
Terminal:T66L5-A

Connector Detail (Brake Wire Cable diameter 6mm)
L ≥ 300



Brake Data			
Mo	0.32Nm	Pw	5.9W
Voltage Ubc	24	Max speed	5000

Technical Data		
No. of poles	10	
DC Link Voltage Ubc (DC Link)	300	
Rated Power Pw(W)	50	
Rated Torque Tw(N.m)	0.16	
Rated Speed nw(rpm)	3000	
Rated Current Iw(A)	0.8	
Maximum torque Tm(N.m)	0.48	
Maximum Current Im(A)	2.4	
Standstill torque Ts(N.m)	0.176	
Standstill current Is(A)	0.88	
Resistance line-line Rl(Ω)	16.2	
Inductance line-line Ll(mH)	18.5	
Electrical time constant τe(ms)	1.14	
Mechanical time constant τm(ms)	1.10	
Voltage constant Ke(V/krpm)	14.0	
Torque constant Kv(Nm/A)	0.232	
Rotor moment of inertia Jm(Kg.cm ²)	0.021	
Max. voltage rising du/dt(KV/μs)	8	
Insulation class	F	
Max. radial force Fr(N)	120	
Max. axial force Fa(N)	60	
Weight(Kg)	0.6	
Feed back device	SAR-ML50AJC00	
Temperature sensor	n.a.	
Cooling method	Totally enclosed non-ventilated	
protection level	IP65,shaft sealing IP54	
Environmental conditions	Temperature	-20℃~40℃
	Humidity	Below 90%RH (No dewing)
	Environment	Far away active gas,combustible gas,oil drop,ash.
Rating conditions	Installation altitude	UP TO 1000m-rated power, above 1000m:15% power decreasing per 100m,max.4000m
	Mounting	Aluminum flange 175x200x10mm
	Temperature	60K housing temperature ring at 40℃ ambient



Elmo DC BRUSHLESS MOTOR
L40-530210SBL

W 50	V 300
A 0.8	Nm 0.16
RPM 3000	Ins F IP 65
Holding brake:24V _{DC} M=0.32Nm	

MADE for Elmo by Kinovo CHINA E505281
S/N: *****KYYDDNNNN

REV	DESCRIPTION	REV	ECN NO.	DESCRIPTION	DRN	APP'D	DATE	DESIGN	DATE	P.N.
								ZZB	20190114	
								ZZB	20190114	TITLE Outside Drawing
								ZZB	20190114	USED ON L40-530210SBL
								ZZB	20190114	DWG NO. REV V2.0

UNLESS OTHERWISE SPECIFIED
TOLERANCES:
DECIMALS: .x ±0.5 .xx ±0.25 .xxx ±0.1
ANGULAR: ±0°30'
UNIT: mm
DO NOT SCALE DRAWING

FIRST ANGLE PROJECTION

SCALE SHEET OF ELMO MOTOR