


FUNCTION	COLOUR	AWG	
MOTOR U	YELLOW	AWG20	 Housing:H66L6-04P Terminal:T66L6-A
MOTOR V	RED	AWG20	
MOTOR W BLACK	BLACK	AWG20	
MOTOR PE	YELLOW/GREEN	AWG20	

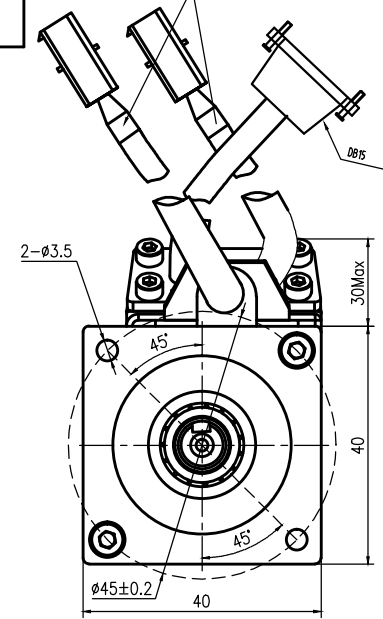
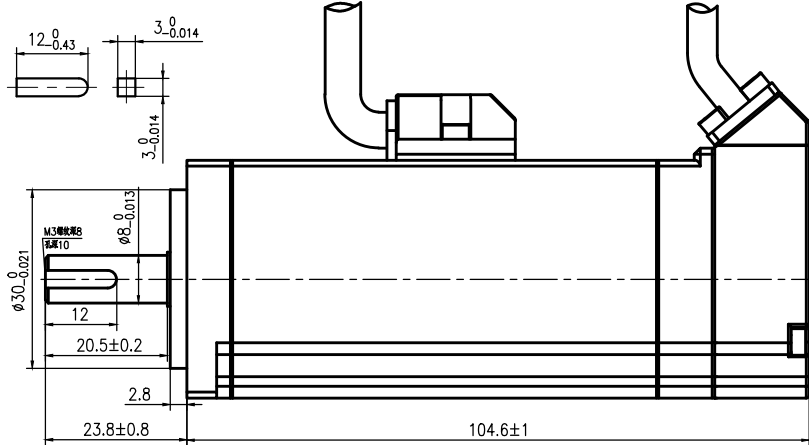
Connector Detail (Power Wire Cable diameter 6.5mm)

PIN	FUNCTION	COLOR	AWG	PIN	FUNCTION	COLOR	AWG
1	VCC +5V	WHITE	AWG28	9	SD	BLUE	AWG28
2	GND	BLACK	AWG28	10	NC	NC	
3	shield			11	NC	NC	
4	VB	ORANGE	AWG28	12	NC	NC	
5	GND	BROWN	AWG28	13	NC	NC	
6	NC	NC		14	/SD	PURPLE	AWG28
7	NC	NC		15	NC	NC	
8	NC	NC					

Connector Detail (Feedback Wire Cable diameter 5mm)

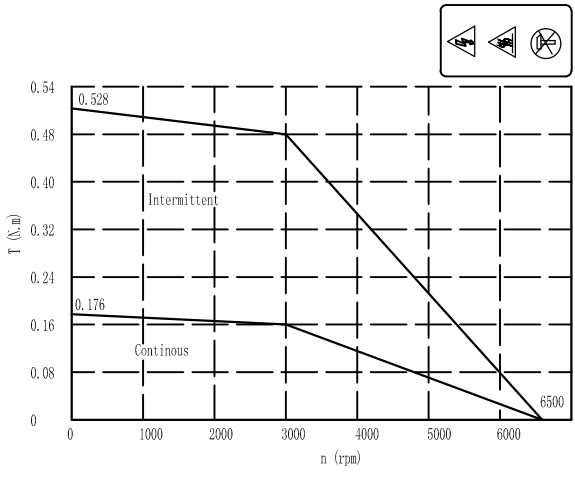
COLOUR	FUNCTION	AWG	
YELLOW	BRAKE(24V)+	AWG24	 Housing:H66L6-02P Terminal:T66L5-A
YELLOW	BRAKE(0V)-	AWG24	

Connector Detail (Brake Wire Cable diameter 6mm)  
L ≥ 300



Brake Data			
Mo	0.32Nm	Pw	5.9W
Voltage Ubc	24	Max speed	5000


Technical Data		
No. of poles	10	
DC Link Voltage Ubc (DC Link)	300	
Rated Power Pw(W)	50	
Rated Torque Tw(N.m)	0.16	
Rated Speed nw(rpm)	3000	
Rated Current Iw(A)	0.8	
Maximum torque Tm(N.m)	0.48	
Maximum Current Im(A)	2.4	
Standstill torque Ts(N.m)	0.176	
Standstill current Is(A)	0.88	
Resistance line-line Rl(Ω)	16.2	
Inductance line-line Ll(mH)	18.5	
Electrical time constant τe(ms)	1.14	
Mechanical time constant τm(ms)	1.10	
Voltage constant Ke(V/krpm)	14.0	
Torque constant Kv(Nm/A)	0.232	
Rotor moment of inertia Jm(Kg.cm <sup>2</sup> )	0.021	
Max. voltage rising du/dt(KV/μs)	8	
Insulation class	F	
Max. radial force Fr(N)	120	
Max. axial force Fa(N)	60	
Weight(Kg)	0.6	
Feed back device	MAR-MX50AHN00	
Temperature sensor	n.a.	
Cooling method	Totally enclosed non-ventilated	
protection level	IP65,shaft sealing IP54	
Environmental conditions	Temperature	-20℃~40℃
	Humidity	Below 90%RH (No dewing)
	Environment	Far away active gas,combustible gas,oil drop,ash.
Rating conditions	Installation altitude	UP TO 1000m-rated power, above 1000m:15% power decreasing per 100m,max.4000m
	Mounting	Aluminum flange 175x200x10mm
	Temperature	60K housing temperature ring at 40℃ ambient



**Elmo** DC BRUSHLESS MOTOR  
Motion Control  
L40-530210ABL

W	50	V	300
A	0.8	Nm	0.16
RPM	3000	Ins	F
		IP	65

Holding brake:24V<sub>DC</sub> M=0.32Nm  
MADE For Elmo by Kinavo CHINA  
S/N: \*\*\*\*\*KYDDNNNN  
E505281



REV	DESCRIPTION	REV	ECN NO.	DESCRIPTION	DRN	APP'D	DATE	DESIGN	DATE	P.N.
								ZZB	20190114	
								CHECK		TITLE
								YJL	20190114	Outside Drawing
								APPD		USED ON
								SL	20190114	L40-530210ABL
										DWG NO.
										REV
										V2.0
										ELMO MOTOR
										SHEET
										OF