

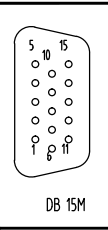
FUNCTION	COLOUR	
MOTOR U	YELLOW	AWG20
MOTOR V	RED	AWG20
MOTOR W BLACK	BLACK	AWG20
MOTOR PE	YELLOW/GREEN	AWG20



Housing:H66L6-04P
Terminal:T66L6-A

Connector Detail (Power Wire Cable diameter 6.5mm)

PIN	FUNCTION	COLOR	PIN	FUNCTION	COLOR
1	VCC +5V	WHITE	9	SD	BLUE
2	GND	BLACK	10	NC	NC
3	shield		11	NC	NC
4	NC	NC	12	NC	NC
5	NC	NC	13	NC	NC
6	NC	NC	14	/SD	PURPLE
7	NC	NC	15	NC	NC
8	NC	NC			

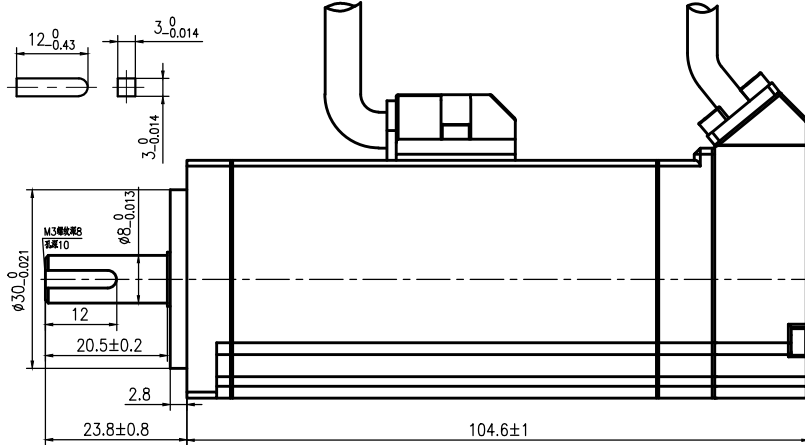
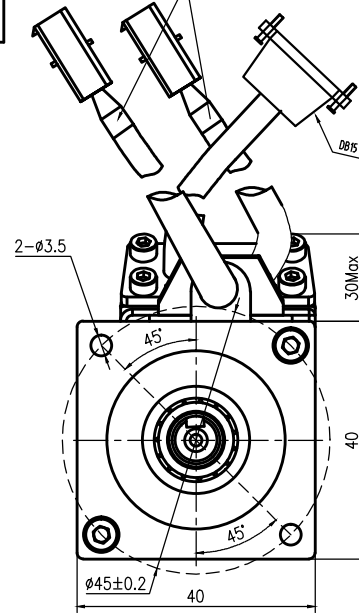


Connector Detail (Feedback Wire Cable diameter 5mm)

COLOUR	FUNCTION	
YELLOW	BRAKE(24V)+	AWG24
YELLOW	BRAKE(0V)-	AWG24



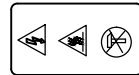
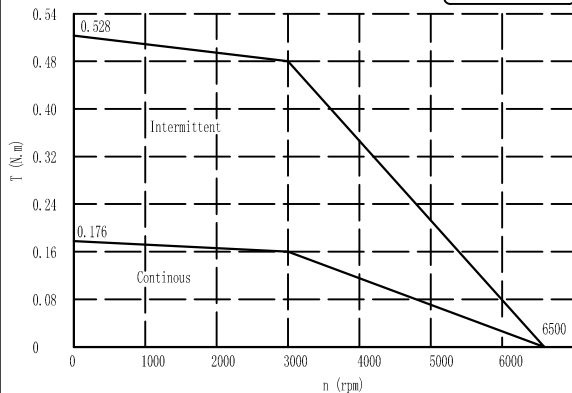
Connector Detail (Brake Wire Cable diameter 6mm)
L ≥ 300



Brake Data			
Mo	0.32Nm	Pw	5.9W
Voltage Ubc	24	Max speed	5000

Technical Data	
No. of poles	10
DC Link Voltage Ubc (DC Link)	48
Rated Power Pw(W)	50
Rated Torque Tw(N.m)	0.16
Rated Speed nw(rpm)	3000
Rated Current Iw(A)	1.5
Maximum torque Tm(N.m)	0.48
Maximum Current Im(A)	4.5
Standstill torque Ts(N.m)	0.176
Standstill current Is(A)	1.65
Resistance line-line Rl(Ω)	4.1
Inductance line-line Ll(mH)	4.5
Electrical time constant τe(ms)	1.1
Mechanical time constant τm(ms)	1.17
Voltage constant Ke(V/krpm)	7
Torque constant Kv(Nm/A)	0.11
Rotor moment of inertia Jm(Kg.cm ²)	0.021
Max. voltage rising du/dt(KV/μs)	8
Insulation class	F
Max. radial force Fr(N)	120
Max. axial force Fa(N)	60
Weight(Kg)	0.6

Feed back device	SAR-ML50AJC00	
Temperature sensor	n.a.	
Cooling method	Totally enclosed non-ventilated	
protection level	IP65,shaft sealing IP54	
Environmental conditions	Temperature	-20℃~40℃
	Humidity	Below 90%RH (No dewing)
	Environment	Far away active gas,combustible gas,oil drop,ash.
Rating conditions	Installation altitude	UP TO 1000m-rated power, above 1000m:15% power decreasing per 100m,max.4000m
	Mounting	Aluminum flange 175x200x10mm
	Temperature	60K housing temperature ring at 40℃ ambient



Elmo DC BRUSHLESS MOTOR
L40-530A10SBL

W 50	V 48
A 1.5	Nm 0.16
RPM 3000	I _{ns} F IP 65

Holding brake:24V_{DC} M=0.32Nm
MADE for Elmo by Kinavo CHINA
S/N: *****KYYDDDDNNNN

CE E505281

REV	DESCRIPTION	REV	ECN NO.	DESCRIPTION	DRN	APP'D	DATE	DESIGN	DATE	P.N.
								ZZB	20190114	
								CHECK		TITLE
								YJL	20190114	USED ON
								APPD		DWG NO.
								SL	20190114	REV
										V2.0
										ELMO MOTOR